

Relay

Part: ACC -0161b & ACC -161c

Technical Data & Installation

- Voltage 12 or 24 V DC
- 2 Changeover contacts (48V/2A)
- LED Display (green)
- Size 35 x 38 mm
- Includes 3 self adhesive stand offs for quick mounting

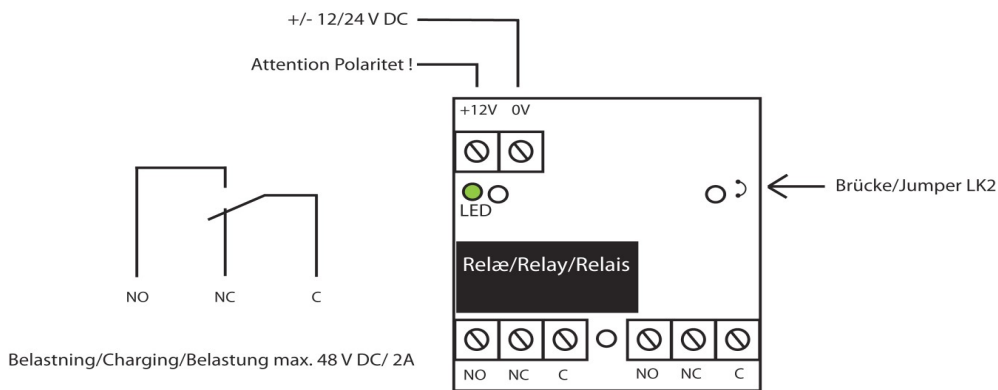
Type ACC-0161b:

- with protection diode and – LED
- Operating current: at 8 – 18 V DC – 10 – 12 mA
at 18 – 30 V DC – 10 – 17 mA

Type ACC-0161c:

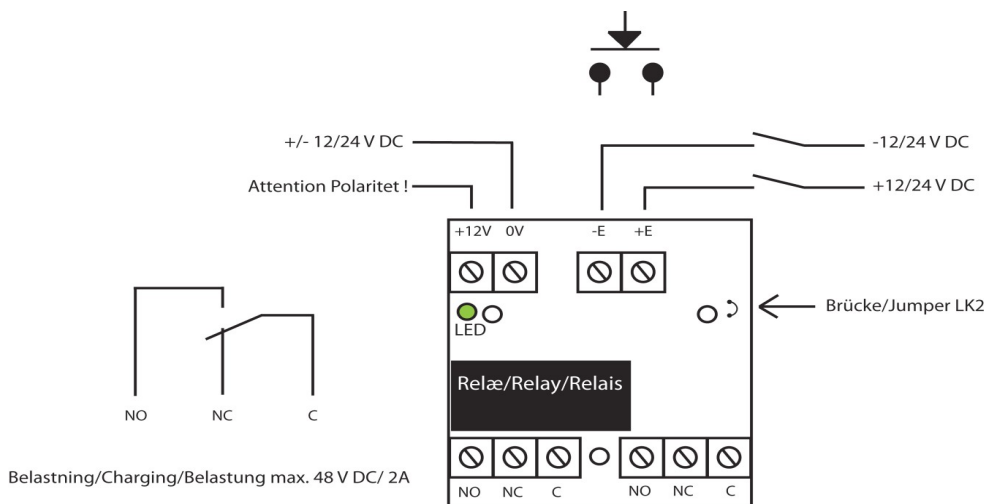
- with + or - trigger
- Trigger current < 1 mA
- Operating current at 8 – 18 V DC – 10 – 12 mA
at 18 – 30 V DC – 10 – 17 mA

ACC-161b



	Link LK2 IN (12V)	Link LK2 OUT (24V)
Voltage:	8 – 18 V DC	18 – 30 V DC
Current:	10 – 22 mA	10 – 17 mA

ACC-0161c



	Relay ON	Relay OFF
	Link LK2 IN (12V)	Link LK2 OUT (24V)
Voltage	8 – 18 V DC	18 – 30 V DC
Current:	10 – 22 mA	10 – 17 mA
		< 0,01 mA