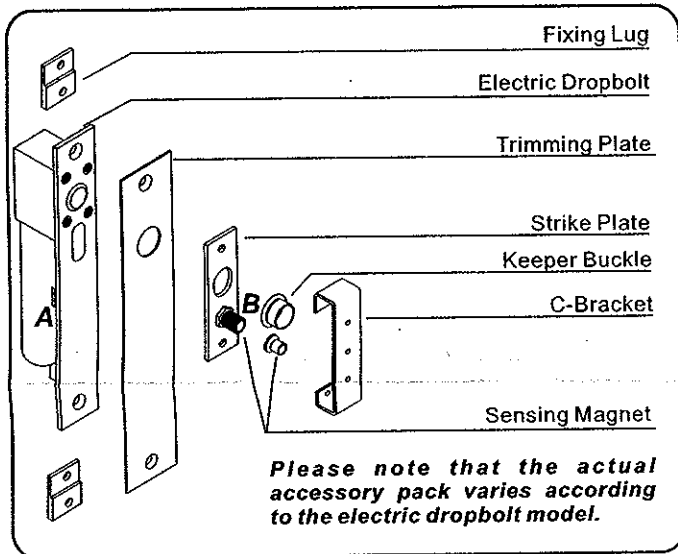


# Electric Dropbolt Installation Instruction (Fail-Safe Series)

## Specifications

	EB-180 EB-185	EB-190 EB-195	EB-200	EB-200N EB-200NVGL	EB-220	EB-262	EB-300 EB-300VGL	EB-400
Power Input	12/24 VDC	12/24 VDC	12 VDC	12 VDC	12 VDC	12 VDC	12 VDC	12 VDC
Voltage Tolerance	±10%	±10%	±10%	±10%	±10%	±10%	±10%	±10%
Current Draw: (at temperature 20°C)	Pull in: 0.9A Holding: 0.2A @12V DC	Pull in: 0.9A Holding: 0.2A @12V DC	Pull in: 0.9A Holding: 0.3A	Pull in: 0.9A Holding: 0.3A	Pull in: 0.9A Holding: 0.3A	Pull in: 0.9A Holding: 0.3A	Pull in: 0.9A Holding: 0.3A	Pull in: 0.9A Holding: 0.3A
* Monitoring output	BSS	BSS DPS	BSS	DPS	BSS	BSS	DPS	BSS
Operating Temperature	-10~+45°C	-10~+45°C	-10~+45°C	-10~+45°C	-10~+45°C	-10~+45°C	-10~+45°C	-10~+45°C
Humidity	0~95%	0~95%	0~95%	0~95%	0~95%	0~95%	0~95%	0~95%
Lock's surface Temperature (when the power is on)	≤ current temp. +20°C	≤ current temp. +20°C	≤ current temp. +20°C	≤ current temp. +20°C	≤ current temp. +20°C	≤ current temp. +20°C	≤ current temp. +20°C	≤ current temp. +20°C
Auto Relocking Timer Setting (Default setting)	0, 3, 6, 9 s (0 second)	0, 3, 6, 9 s (0 second)	0, 3, 6, 9 s (0 second)	0, 3, 6, 9 s (0 second)	0, 3, 6, 9 s (0 second)	0, 3, 6, 9 s (0 second)	0, 3, 6, 9 s (0 second)	0, 3, 6, 9 s (0 second)
Dimensions: mm Lock: Strike plate	210*25*41 100*25	210*25*41 115*25	203*32(38)*38 100*25	203*32(38)*41 100*25	220*38*38 140*26	262*35*38 140*26	166*34*56 166*34*56	220*38*38 140*26
Remark	logical circuitry	logical circuitry	logical circuitry		logical circuitry	logical circuitry		logical circuitry

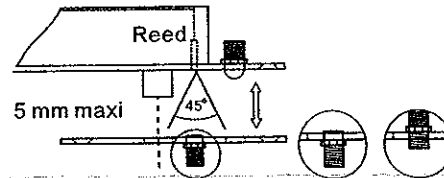
\* BSS: Indicates bolt locked or unlocked status. Relay rated 3Amp@30VDC SPDT.  
DPS: Indicates door position (opened or closed), Reed rated 0.25Amp@30VDC.



### A. Auto Relocking Timer Setting

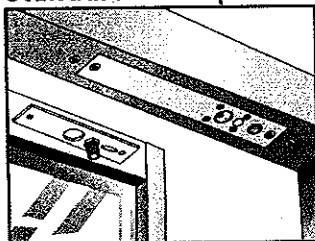
It can adjust the door lock delay time between 0 to 9 seconds. This is the time, which takes the Dropbolt to automatically lock after the door is closed. Please refer to the connecting diagram for further detail.

### B. Adjustable sensor magnet



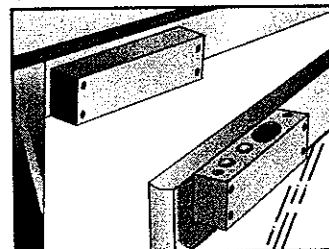
Positioning Bolt is installed to prevent the chance of negative locking problem caused by the improper door positioning and also reduce the time it normally takes for the Dropbolt to automatically lock after the door is closed.

### Standard frame(1.75" frame) flush installation



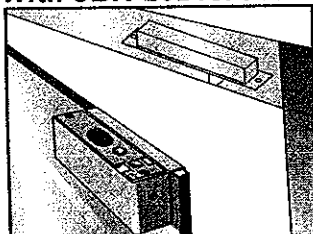
**EB-180/185  
EB-190/195  
EB-200  
EB-200N  
EB-220  
EB-262**

### Surface Installation



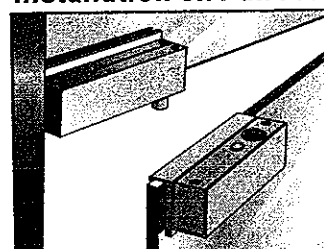
**EB-300  
EB-400**

### With UBK-262 for Frameless Glass door



**EB-220  
EB-262**

### Installation on Full Frameless Glass Door



**EB-200NVGL  
EB-300VGL**

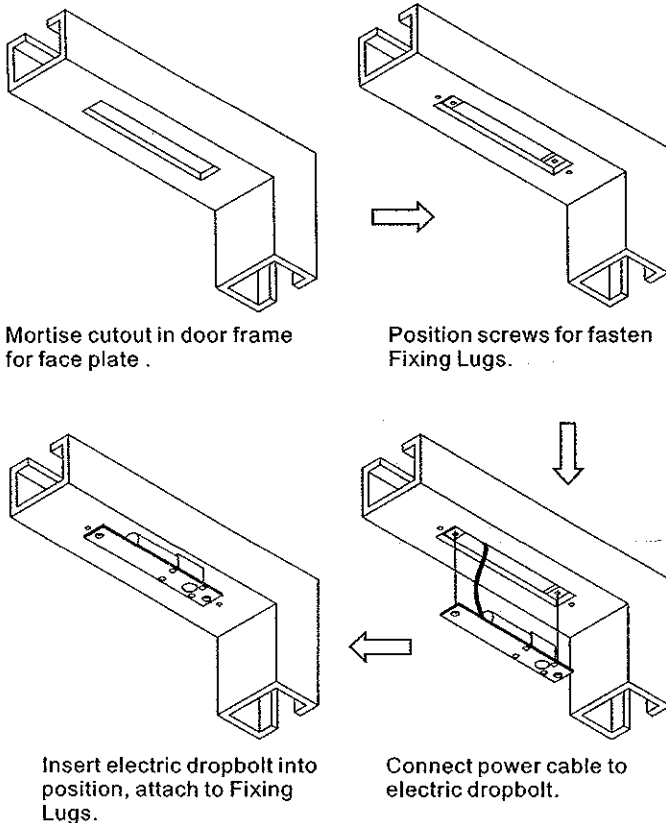
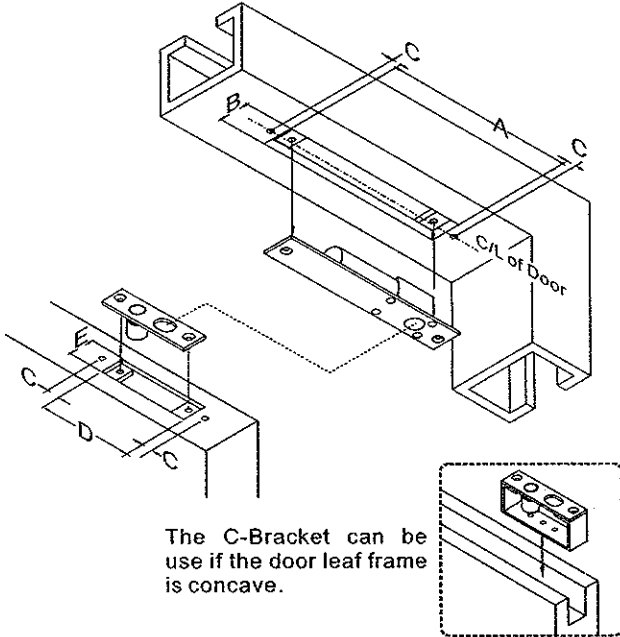
## Installation Instructions

### Flush Installation

#### Hollow Metal Door Frame

Please refer to each Electric Dropbolt model's template for each specific cutting size and the location to drill the screw holes. (Fits flush with surface of frame)

	A	B	C	D	E
EB-180/185	211	26	12	101	26
EB-190/195	211	26	12	116	26
EB-200	204	33(or 39)	40	101	26
EB-200N	204	33(or 39)	40	101	26
EB-220	221	39	40	141	26
EB-262	263	36	40	141	26



### General Installation Instructions:

Ensure you have the following:

- \*Electric Dropbolt
- \*Strike plate

All rebate strips and/or frame stops be fitted before starting.

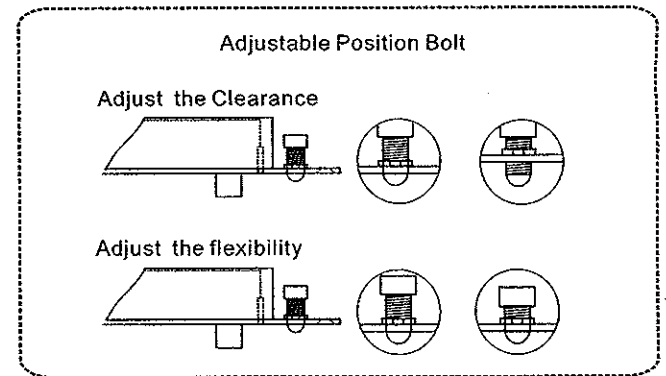
\*Check with a suitable meter that the regulated power supply or controller being used can provide 1 amp@12V DC (voltage tolerance 10%) and that the voltage can be maintained during operation under all circumstances.

### Warning:

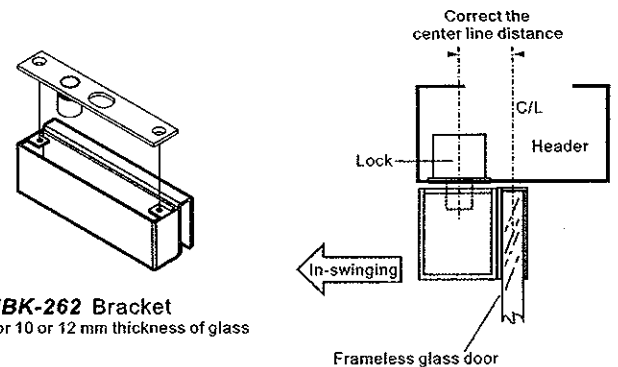
The connection of an incorrect voltage may result in damage not covered by the product warranty. The selection of appropriate power supply cable is very important to ensure lock receives sufficient power to operate. This product has been designed for use in weather protected areas and under normal circumstances does not require any maintenance.

### DO NOT OIL OR LUBRICATE.

This product must be used in conjunction with a quality floor spring or door closer to ensure positive realignment on closing.



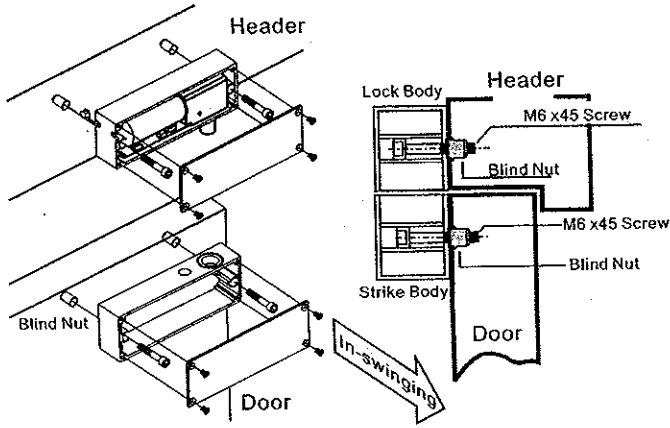
### Optional Bracket



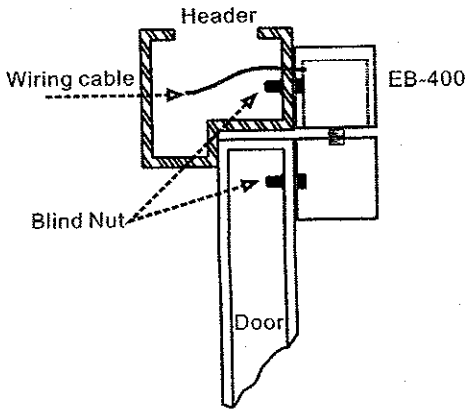
**UBK-262 Bracket**  
For 10 or 12 mm thickness of glass

The UBK Bracket can be use on a frameless glass door. With optional 10mm or 12mm depending on the glass thickness. It is suitable for models EB-220 and EB-262. Installations: Fix the strike plate on the UBK-262 Bracket, add silicone for a firm grip on the glass door.

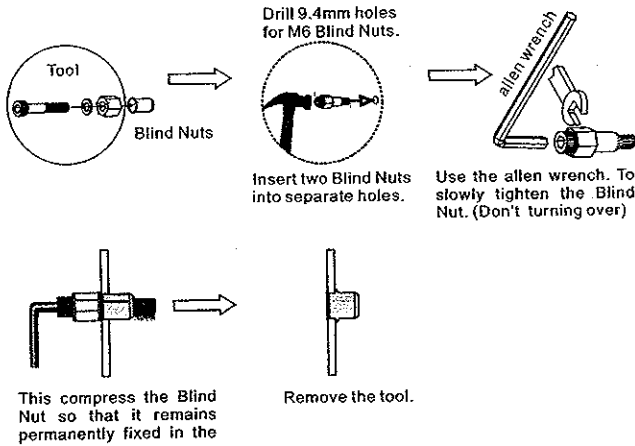
## Surface Mount Installation-EB-300



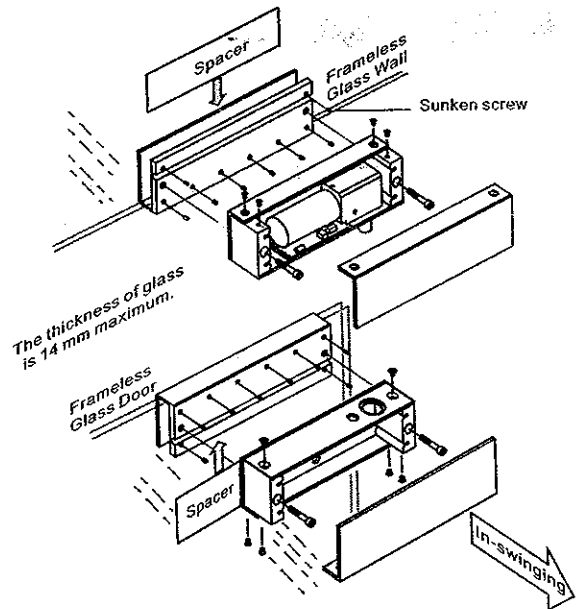
## Surface Mount Installation-EB-400



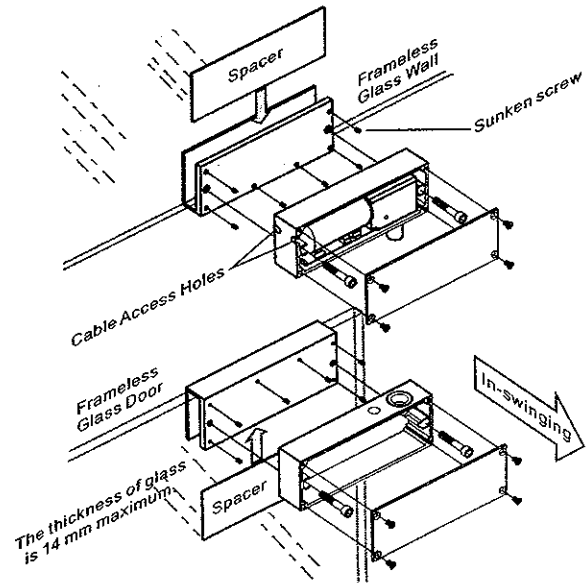
## The Installation of Blind Nuts



## For Frameless Glass Door-EB-200VGL



## For Frameless Glass Door-EB-300VGL



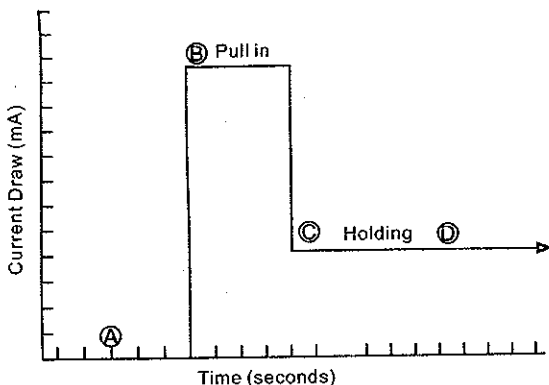
### Installation:

1. Clean the glass before installing, stick the face plate on the glass(indoor).
2. Stick the spacer in accordance to the glass thickness for inseparable result.
3. Put silicone for the glass to hold firmly.
4. Lock the Sunken screw.
5. Use allen wrench to install the outer cover.

### Caution:

1. Spacers are installed indoor.
2. Sunken screws cannot into contact with the glass, it will break the glass.
3. Sunken screw contact with spacer is metal, other side is plastic, to hold firmly.

## Clamp & Logical Circuitry



All Electric Dropbolt Locks in fail-safe series have clamp circuitry design. EB-180/185, EB-190/195, EB-200, EB-220, EB-262 have logical circuitry.

- Ⓐ When the sensor magnet in the Strike Plate detects the reed in the lock body, the Dropbolt projects immediately.
- Ⓑ After locking delay time for the Electric Dropbolt Lock to activate the pull in motion, the continuing projecting motion will not stop until the Dropbolt locked the door properly. The models with logical circuitry design are EB-180/185, EB-190/195, EB-200, EB-220, EB-262.
- Ⓒ Under the clamp circuitry design, after the Dropbolt completely locked, the current draw will drop from high 'pull in current' to low continuing 'holding current'.
- Ⓓ The reed in the lock body will automatically switch off at the same time when the Dropbolt locked.

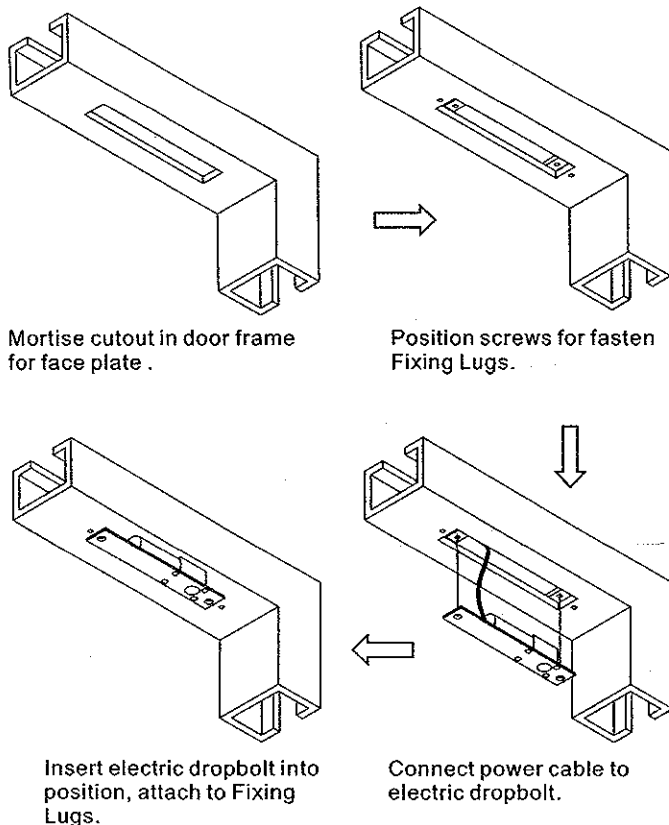
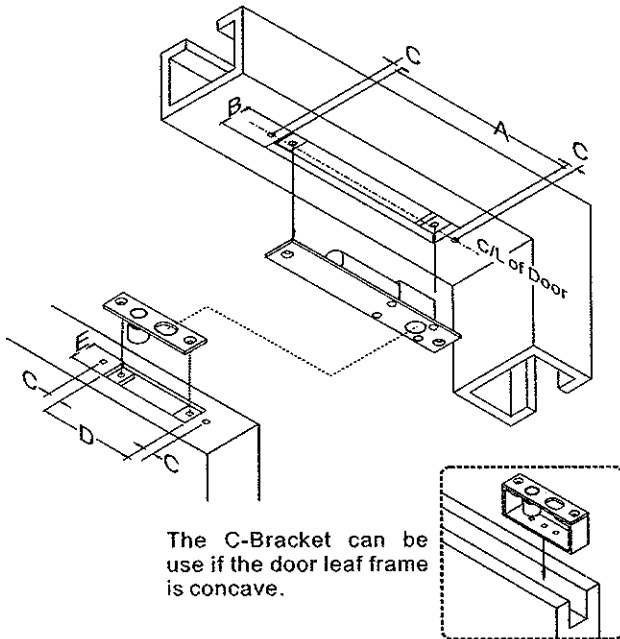
## Installation Instructions

### Flush Installation

#### Hollow Metal Door Frame

Please refer to each Electric Dropbolt model's template for each specific cutting size and the location to drill the screw holes. (Fits flush with surface of frame)

	A	B	C	D	E
EB-180/185	211	26	12	101	26
EB-190/195	211	26	12	116	26
EB-200	204	33(or 39)	40	101	26
EB-200N	204	33(or 39)	40	101	26
EB-220	221	39	40	141	26
EB-262	263	36	40	141	26



### General Installation Instructions:

Ensure you have the following:

- \*Electric Dropbolt
- \*Strike plate

All rebate strips and/or frame stops be fitted before starting.

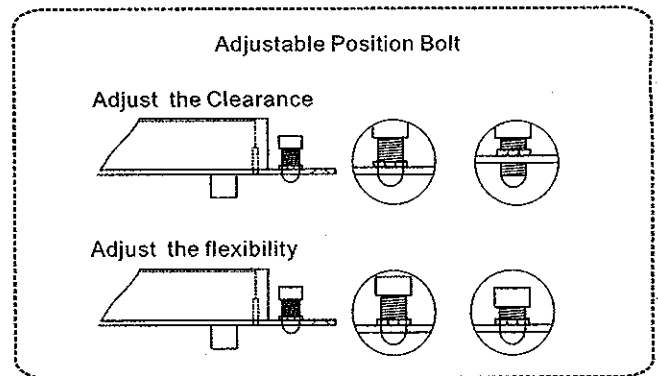
\*Check with a suitable meter that the regulated power supply or controller being used can provide 1 amp@12V DC (voltage tolerance 10%) and that the voltage can be maintained during operation under all circumstances.

### Warning:

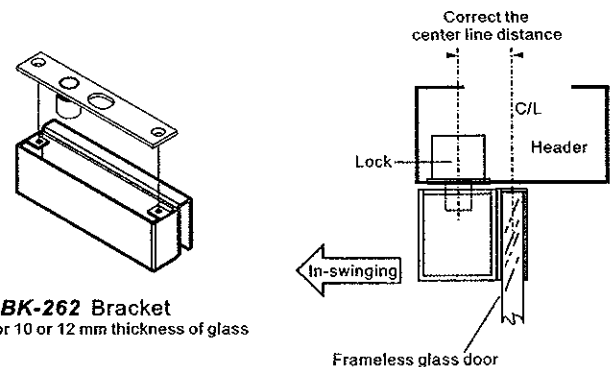
The connection of an incorrect voltage may result in damage not covered by the product warranty. The selection of appropriate power supply cable is very important to ensure lock receives sufficient power to operate. This product has been designed for use in weather protected areas and under normal circumstances does not require any maintenance.

### DO NOT OIL OR LUBRICATE.

This product must be used in conjunction with a quality floor spring or door closer to ensure positive realignment on closing.



### Optional Bracket



The UBK Bracket can be use on a frameless glass door. With optional 10mm or 12mm depending on the glass thickness. It is suitable for models EB-220 and EB-262. Installations: Fix the strike plate on the UBK-262 Bracket, add silicone for a firm grip on the glass door.