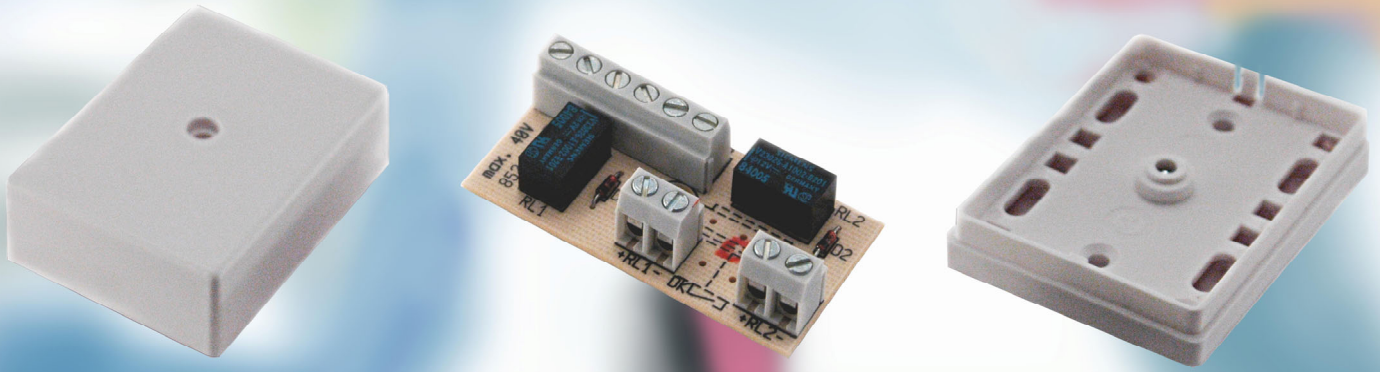


MINIATURE MULTIPURPOSE RELAY



The MINIATURE MULTIPURPOSE RELAY module allows for simple connection of ancillary devices to all types of automatic operators. The multi-voltage diode protected relays remove the need for engineers to carry multiple relays and protection diodes.

Manufactured to the highest standard and offering reliable operation, the relay module is supplied with a compact white ABS two part housing. The PCB can be removed from the housing and fitted into the smallest spaces using PCB pillars or Velcro® pads (optional)

The clearly marked connection terminals and the two 100mm x 2mm cable ties supplied with the kit ensure tidy professional wiring.

Connection examples:-

Fire alarm Interface
Building Management Interface
Entryphone Interface
Segregation of supply voltages
Single input contact to multiple operator activation

Specifications

Printed Circuit Board

- 2 Monostable relays with protecting diodes parallel to relay coils

Dimensions

- PCB 52mm x 28mm x 15mm
- Base 7mm x 45mm x 60mm
- Cover 18mm x 45mm x 60mm

Power Input

- 9 - 35 volt AC or DC
- Current consumption 25mA

Operating Temperatures

- -20°C to +55°C

Contact Rating

- Switching voltage 40V DC - 40V AC
- Switching current 1 AMP
- Relay hold time 0.5 - 10 seconds

Output

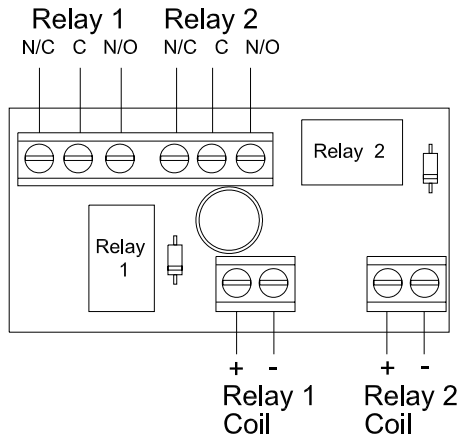
- Form C relays (Common, N/O and N/C)

Housing

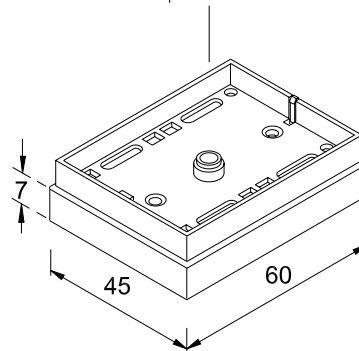
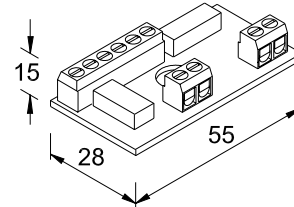
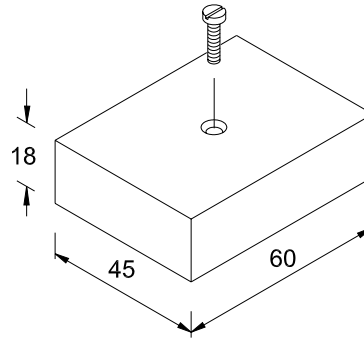
- White ABS

TECHNICAL DETAILS

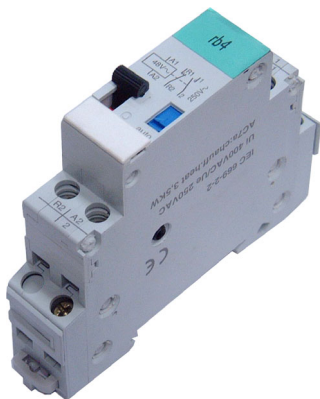
PCB Layout



Dimensions



FlipFlop Relay



Supply Voltage	24V DC
Current consumption	20mA
Contact Rating	1.6A
Contacts	2 x N/O
Mounting	DIN Rail
Dimensions	70mmx18mmx85mm
CE Approved	

Our wide range of associated control devices including the unique ultra small radio transmitters and receivers and versatile FlipFlop relay (detailed above) are designed to enhance installations and simplify connections. For a full catalogue or technical information contact RTR on 0870 2426029.



Transmitter and Receiver Systems - Ultra small size and excellent range makes it easy to locate the receiver inside the door header, maintaining clean architectural lines of the installation and reducing vandalism.

- Frequency 433.92 MHz
- Certifications CE, FCC