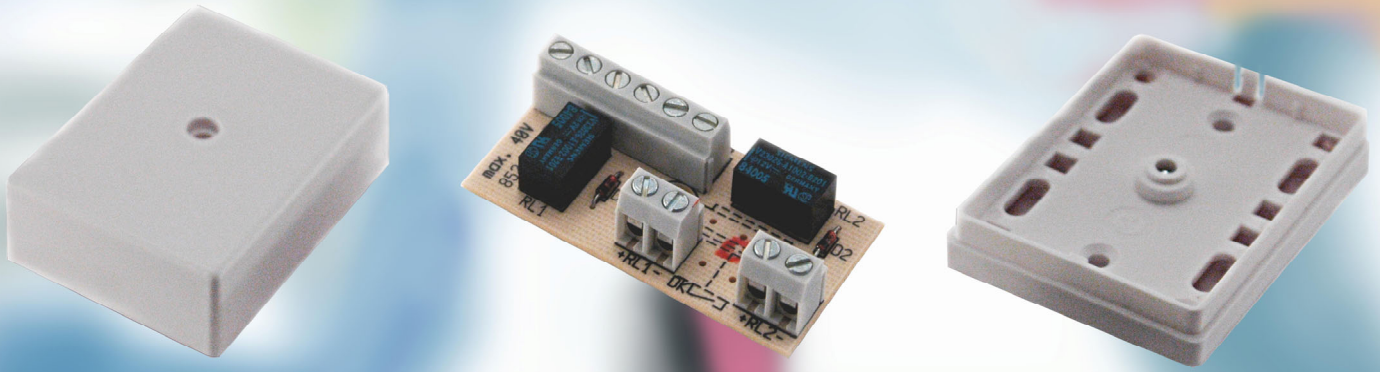


# MINIATURE MULTIPURPOSE RELAY



The **MINIATURE MULTIPURPOSE RELAY** module allows for simple connection of ancillary devices to all types of automatic operators. The multi-voltage diode protected relays remove the need for engineers to carry multiple relays and protection diodes.

Manufactured to the highest standard and offering reliable operation, the relay module is supplied with a compact white ABS two part housing. The PCB can be removed from the housing and fitted into the smallest spaces using PCB pillars or Velcro® pads (optional)

The clearly marked connection terminals and the two 100mm x 2mm cable ties supplied with the kit ensure tidy professional wiring.

**Connection examples:-**

**Fire alarm Interface**  
**Building Management Interface**  
**Entryphone Interface**  
**Segregation of supply voltages**  
**Single input contact to multiple operator activation**

## Specifications

### Printed Circuit Board

- 2 Monostable relays with protecting diodes parallel to relay coils

### Dimensions

- PCB 52mm x 28mm x 15mm
- Base 7mm x 45mm x 60mm
- Cover 18mm x 45mm x 60mm

### Power Input

- 9 - 35 volt AC or DC
- Current consumption 25mA

### Operating Temperatures

- -20°C to +55°C

### Contact Rating

- Switching voltage 40V DC - 40V AC
- Switching current 1 AMP
- Relay hold time 0.5 - 10 seconds

### Output

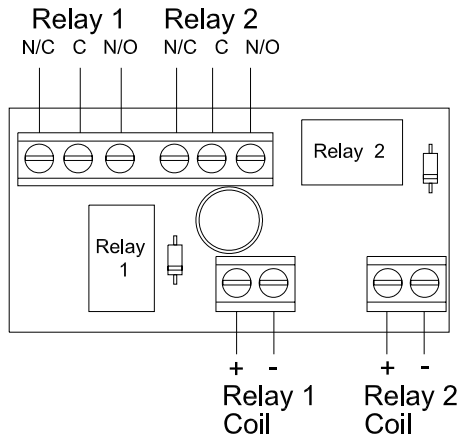
- Form C relays (Common, N/O and N/C)

### Housing

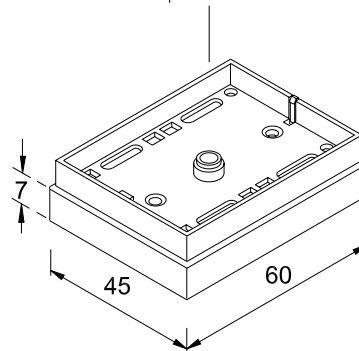
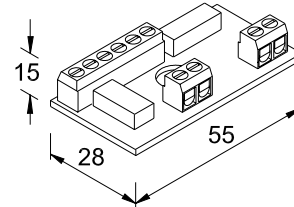
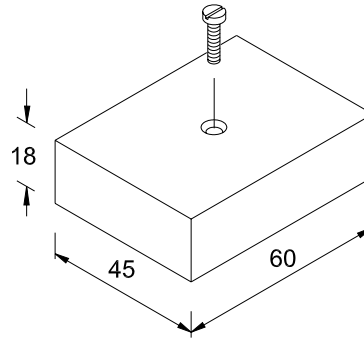
- White ABS

# TECHNICAL DETAILS

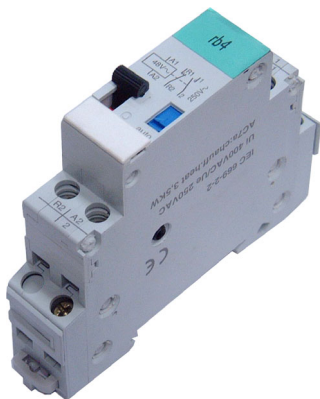
## PCB Layout



## Dimensions



## FlipFlop Relay



Supply Voltage    24V DC  
 Current consumption 20mA  
 Contact Rating    1.6A  
 Contacts            2 x N/O

Mounting            DIN Rail

Dimensions  
 70mmx18mmx85mm

CE Approved

Our wide range of associated control devices including the unique ultra small radio transmitters and receivers and versatile FlipFlop relay (detailed above) are designed to enhance installations and simplify connections. For a full catalogue or technical information contact RTR on 0870 2426029.



Transmitter and Receiver Systems - Ultra small size and excellent range makes it easy to locate the receiver inside the door header, maintaining clean architectural lines of the installation and reducing vandalism.

- Frequency 433.92 MHz
- Certifications CE, FCC