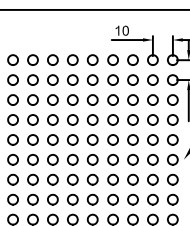
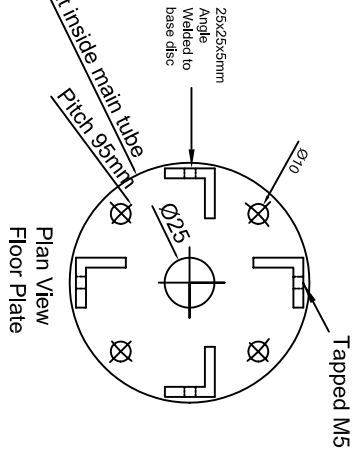


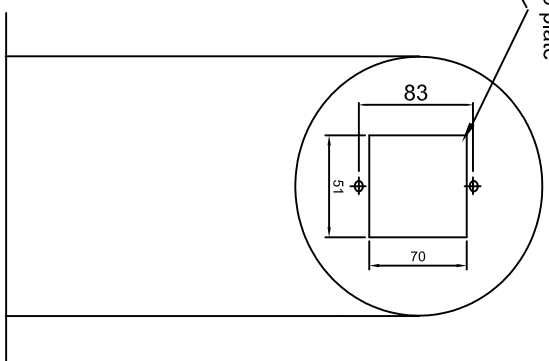
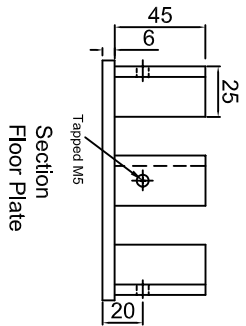
5mmØ with 10 x 10mm pitch perforation (Radio Bollard only)



105

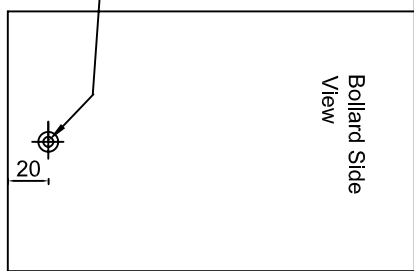
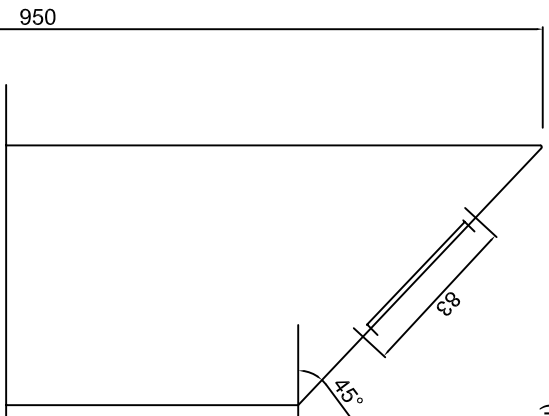


Diameter = tolerance fit inside main tube
Pitch 95mm



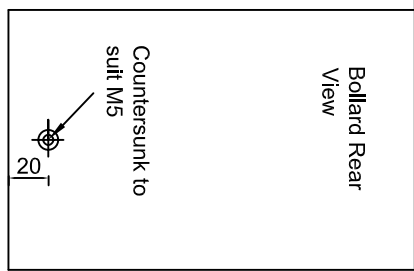
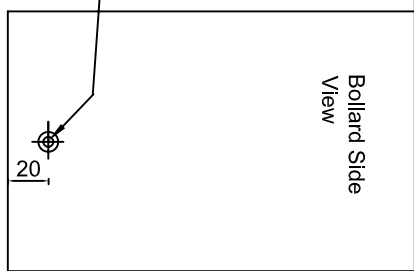
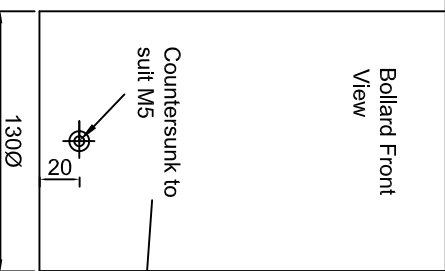
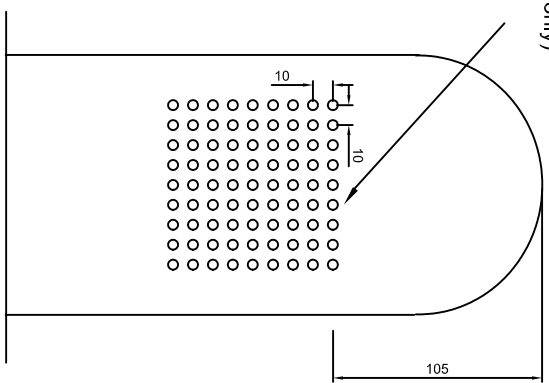
Countersunk to suit M5

20



Countersunk to suit M5

20



No claims or damages in any form can be made against RTR Services as a result of the interpretation of this drawing. This drawing remains the property of RTR Services and is made available to third parties only for the duration of contractual obligations. All rights connected with this drawing remain in possession of RTR Services. This drawing may not be copied or handed over to third parties without the express consent of RTR Services.

Project
R & D

Drawn	Rev	Date	Reason for change	App'd	Scale	Date
esbd	A	29/06/05				
Drawing No. RTR-esbe-01-004						
Title BOLLARD Revised 1						

RTR
Services Limited

35 Woodford Avenue
Castle Bromwich
Birmingham
West Midlands
B36 9BG

Tel: 0870 2426029
Fax: 0870 2426030
www.rtrservices.co.uk