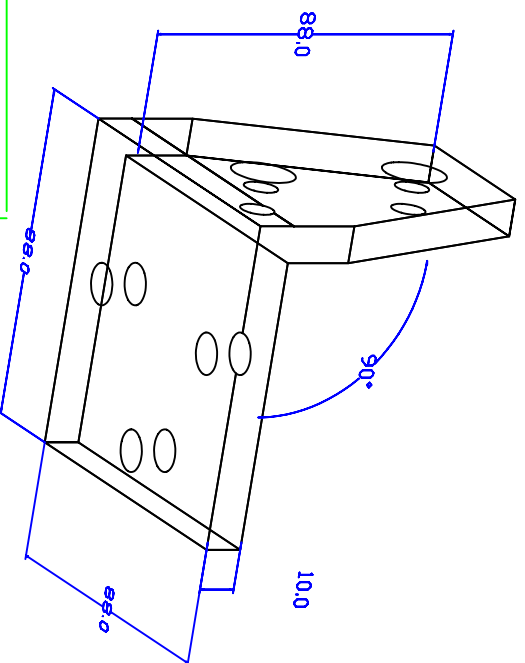
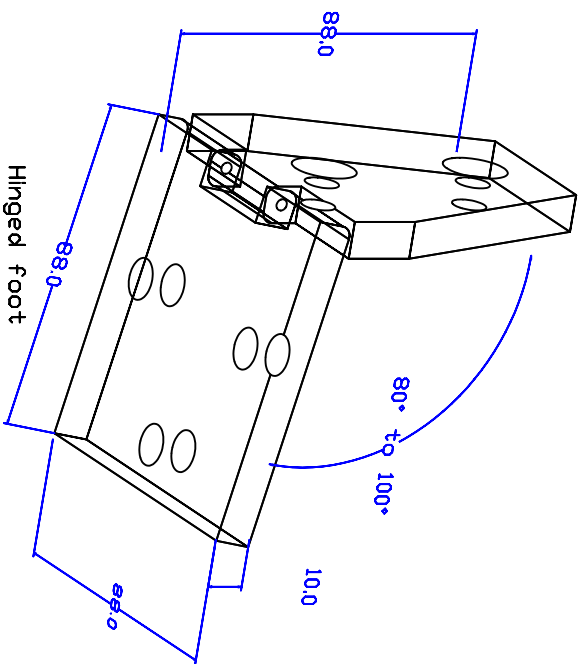


Type 1

Type 2



Fixed foot



Hinged foot

This drawing shows the actual stage of product development at the above indicated level of detail. It is not intended to be a final drawing. The drawing remains the property of RTR and is made available to other parties for the purpose of contractual obligations. All rights reserved. No part of this drawing may be reproduced or transmitted in any form or by any means, electronic or mechanical, without the express consent of RTR.

RA	A	sv / w / m	Date	Drawn By/Revision	Date
App'd	PR	sv / w / m	Date	sv / w / m	Date
Date		Scale	Drawing No.		
24 / 01 / 01		NTS	0434-Barrier		
Title					
Barrier rail options -					
Type 1 & 2					

RTR Services Limited,
 35 Woodford Ave,
 Castle Bromwich,
 Birmingham,
 West Midlands.
 B36 9BG
 TEL 0870 242 6029
 FAX 0870 242 6030