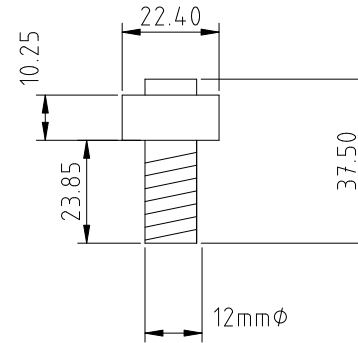


FFT Top Roller
33304109150



FFT Bottom Guide
33304410150

FFT Parts for identification only
Dimensions are approximate

| Drawn By | Revision | Date | Drawn By | Revision | Date |
|----------|---------------|------|-------------|----------|------|
| App'd | SI | Date | Design List | N/A | |
| Date | 26th Jan 2012 | | Drawing No. | | |

Title
FFT Roller dimensions

RTR Services Limited,
35 Woodford Ave,
Castle Bromwich,
Birmingham,
West Midlands.
B36 9BG

TEL 0121 747 3845
FAX 0121 747 3845

This drawing shows the actual stage of product development at the date indicated. No claims or damages in any form can be made against RTR as a result of the interpretation of this drawing. This drawing remains the property of RTR and is made available to third parties only for the duration of contractual obligations. All rights connected with this drawing remain in possession of RTR. This drawing may not be copied or handed over to third parties without the express consent of RTR.