

ULTRA-SMALL TRANSMITTERS AND RECEIVERS



- Ultra - small size and excellent range makes it easy to locate the receiver inside the door header, maintaining clean architectural lines of the installation and reducing vandalism.
- Improved signal range over previous models.
- Self-learning receiver offers better noise rejection and millions of code variations for increased security.
- Factory pre-wired. Installation is as easy as attaching the battery and pushing the programming button.
- Units operate at 433 MHz for use worldwide
- Rigorously tested and FCC, Industry Canada and CE certified.



Transmitter Actual Size 32 x 23 x 6.5mm
(Comparable to a standard postage stamp)

Transmitter Specifications

- **Frequency**
433.92 MHz
- **Dimensions**
32 x 23 x 6.5mm
- **Security Code Method**
Code Hopping
- **Battery Life**
60,000 cycles
- **Certifications**
FCC
Industry Canada
CE
- **Operating Temperature**
-20°C - 55°C

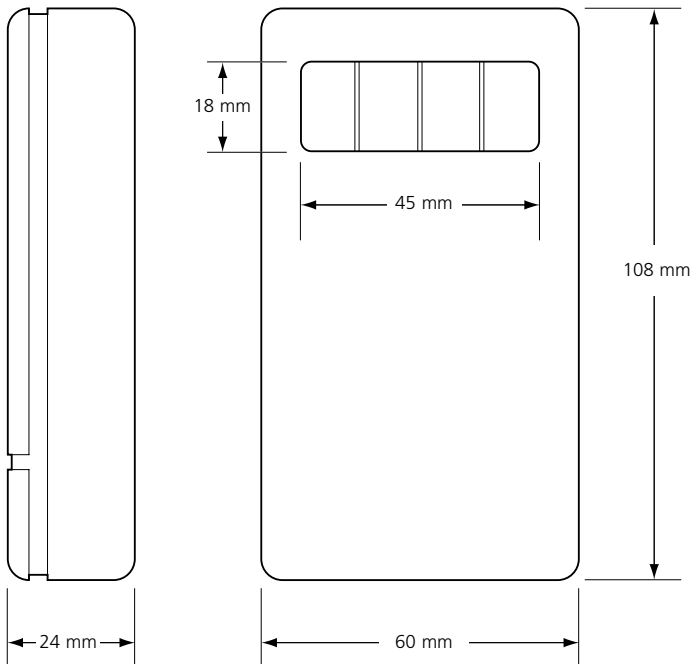
Receiver Specifications

- **Frequency**
433.92 MHz
- **Dimensions**
57 x 32 x 19mm
- **Security Code Method**
Code Hopping.
Can learn up to 12 different transmitters
- **Operating Temperature**
-20°C - 55°C
- **Electrical Rating**
100,000 cycles at 2 Amps
- **Input Power**
24v AC/DC or 12v DC
- **Output**
2 Amps at either 24v DC or 120v AC
Two Relay Outputs:
1 NO 1 NC
- **Certifications**
FCC
Industry Canada
CE

ULTRA-SMALL TRANSMITTERS AND RECEIVERS DIMENSIONS

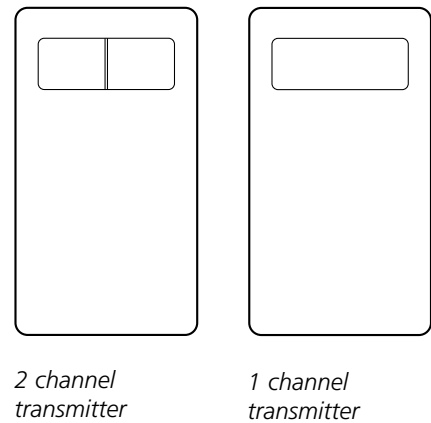
Handheld Transmitters

4 channel transmitter

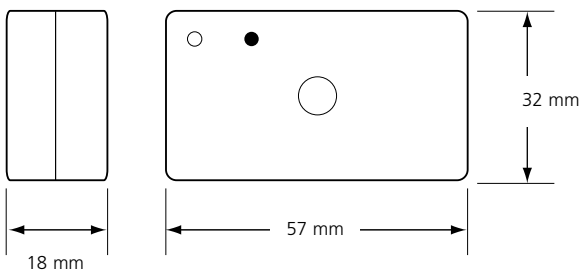


RTR's Transmitter and Receiver product line includes one, two and four channel handheld transmitting units, a key fob transmitting unit, stand-alone transmitter board for use with any of RTR's wall switch products and the receiver unit, which fits easily into any automatic door header.

Alternative Transmitter Channels



Ultra-Small Receiver



Key Fob Transmitting Unit

