

## ULTRA-SLIM PROXIMITY READER - PT 1000



The ULTRA-SLIM PT 1000 1024 user proximity reader allows for simple installation and configuration into virtually any application. The PT 1000 incorporates advanced encrypted coding of user keys. The extremely high IP (67) rating enables the PT1000 to be mounted in exposed external environments. The durable, wipe clean face incorporates LED indicators to assist the user.

Manufactured to the highest standard and offering reliable operation, the PT1000 is compatible with entire RTR range of locking devices via our supplementary relays and ancillary power supply units. The PT1000 is suitable for connection to existing access control systems or is ideal as part of a stand-alone system.



For further advice on compatibility, contact our technical team.

The optional mounting bezel is ideal for surface wired applications.

Replacement keypad faceplates are available to order.

\*\* Introductory offer price does not include user tags. Please order separately.



### Specifications

#### Finish

- Proximity reader - Black (White optional)  
(Supplied with 4 x stainless steel screws and nylon wall plugs)

#### Dimensions

- Reader 130mm (h) x 50mm (w) x 8mm (d)
- Accessory plate 130mm (h) x 50mm (w) x 1mm (d)
- Accessory bezel 155mm (h) x 75mm (w) x 15mm (d)

#### Power Supply & Output

- 9 - 17 Volts DC (30mA consumption)
- Output - Yellow core max. 500mA
- External control buzzer Red & Green LED
- External control buzzer Hold and Lock

#### Operating Temperatures

- -30°C to + 80°C
- Humidity 100%
- IP67 rating

#### Cable (supplied)

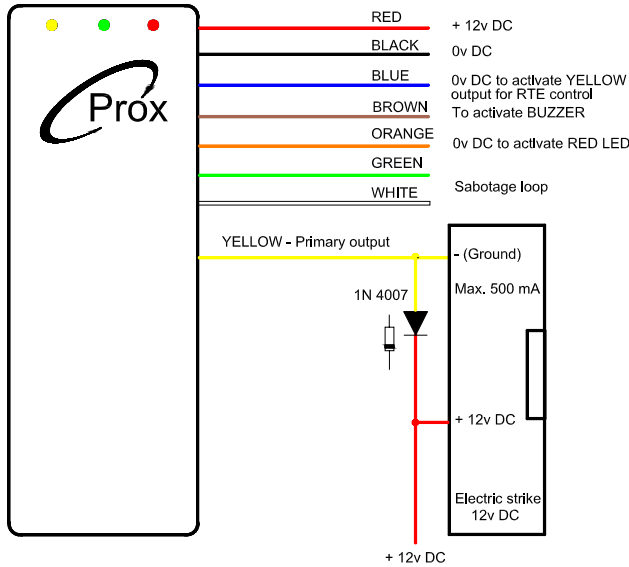
- 8 core signal x 2500mm

#### Accessories

- Mounting plate - Stainless steel
- Mounting bezel - Anthracite grey ABS
- Replacement reader faceplate

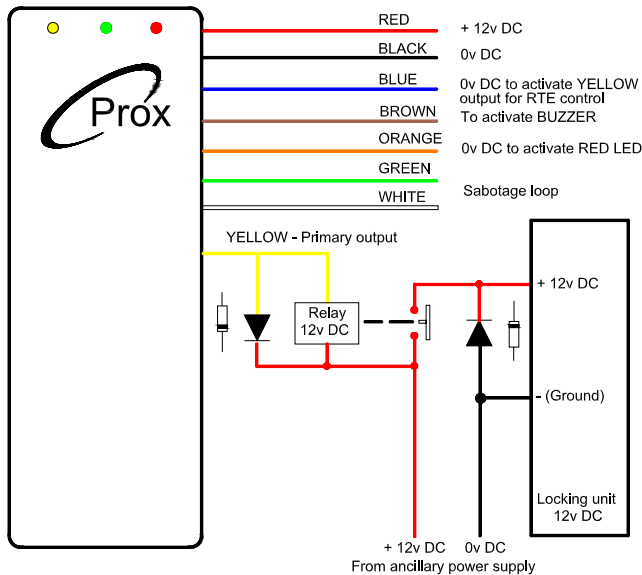
## PT 1000 - TECHNICAL DETAILS

### Direct connection details



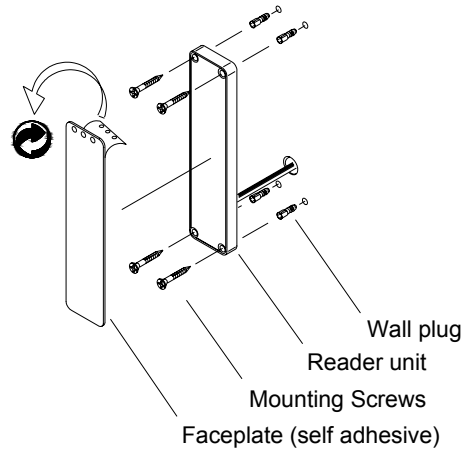
Electric strike, supplementary relay and additional diode shown in the above circuit diagram are for illustrative purposes only and are not included with the CT 1000. Please order separately.

### Indirect connection details

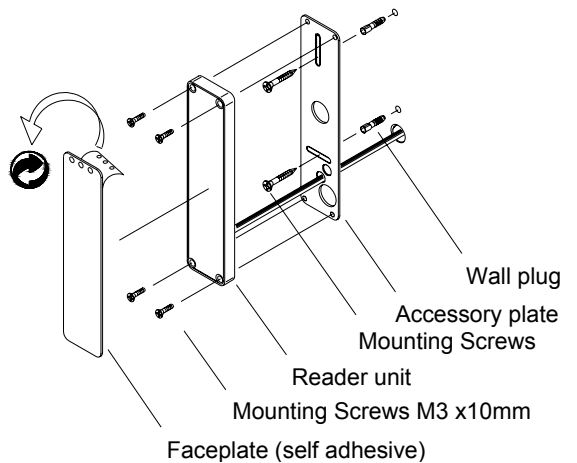


Locking unit, supplementary relays and additional diodes shown in the above circuit diagram are for illustrative purposes only and are not included with the CT1000. Please order separately.

### Standard installation



### Installation with optional plate



### Installation with optional bezel

