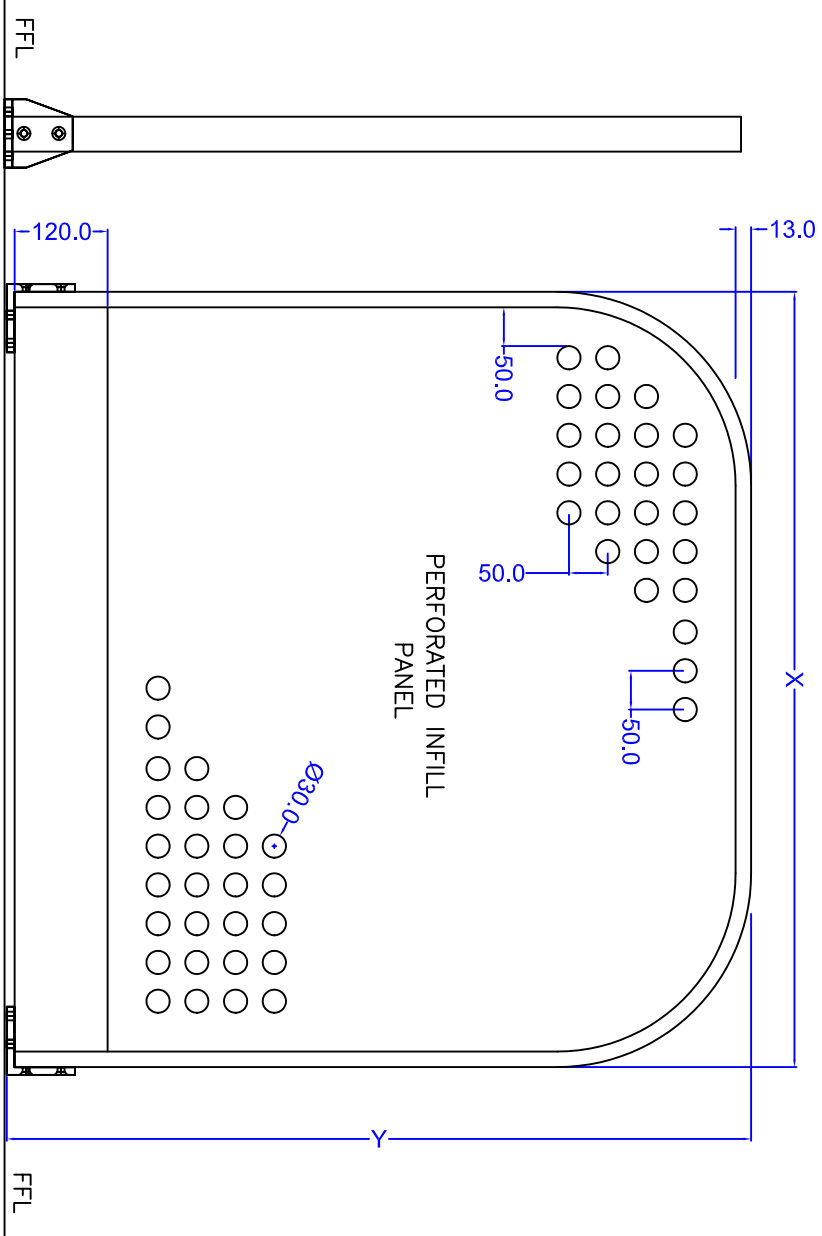
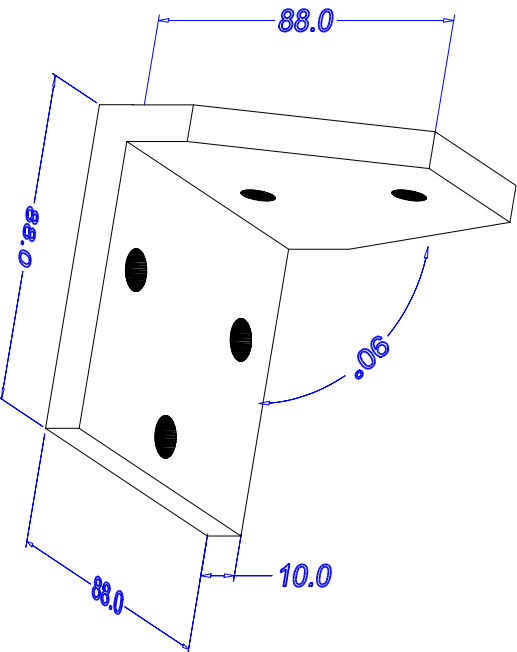


Type 3



Type 4



Fixed foot

This drawing shows the actual stage of product development at the date indicated. No responsibility is accepted by RTR or its suppliers for the accuracy or appropriateness of this drawing. This drawing remains the property of RTR and is made available to third parties only for the duration of contractual obligations. All rights connected with this drawing remain in possession of RTR. This drawing may not be copied or handed over to third parties without the express consent of RTR.

Drawn By	Revision	Date	Drawn By	Revision	Date
RA	A	24/01/01			

Apprd	Date	Design Ltr	Design No.
PR	24/01/01	N/A	0435 - Barrier

Date: 24 / 01 / 01
 Scale: 1:2 1:10
 Title: Barrier rail options - Type 3 & 4

RTR Services Limited,
 35 Woodford Ave,
 Castle Bromwich,
 Birmingham,
 West Midlands,
 B36 9BG
 TEL: 0870 242 6029
 FAX: 0870 242 6030