

C - Prox Ltd.

Tel: 01246 417113 email: sales@cproxltd.com

WC System: Installation Instructions

Auto Door system:

Overview: Swing Door: the system is designed to leave the Door unlocked enabling Manual or Assisted entry, when entering the facility the Door should be shut before the "Touch to Lock" sensor will work therefore inhibiting pranksters. This is achieved by a Normally closed Door status Micro-switch.

When incorporating a Sliding Door the additional Activate timer PCB can be adjusted to keep the door open on entry until the "Touch to Lock" sensor is activated to ensure the user engages the Lock.

NB: A link on the PCB enables Flashing or Solid status LEDs.

An Access control system may fitted to give a Secure Door scenario.

Touch Sensor installation:

Architrave & Round units. (AWC - RWC)

Ascertain fixing height. (Centre 900 to 1000 F. F. L)

Use back Plate to mark cable hole & Screw fixing points.

Round unit may be angled towards approaching users.

Fix top retaining screw (No 8 or 10) leave 4 mm of screw shaft protruding.

Fit Back seal to rear of plate.

Place cable through Back-plate & seal.

Make connections. (see "Circuit")

Fit Back-plate to unit.

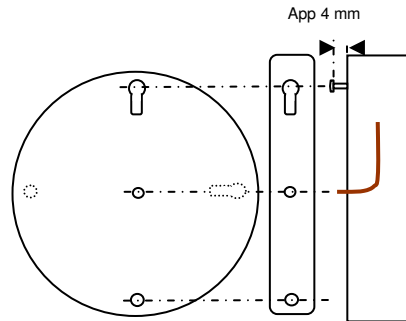
Hook unit onto top Screw & fit bottom retaining screw.

Single Gang units: (SGWC)

"Internal Quality"

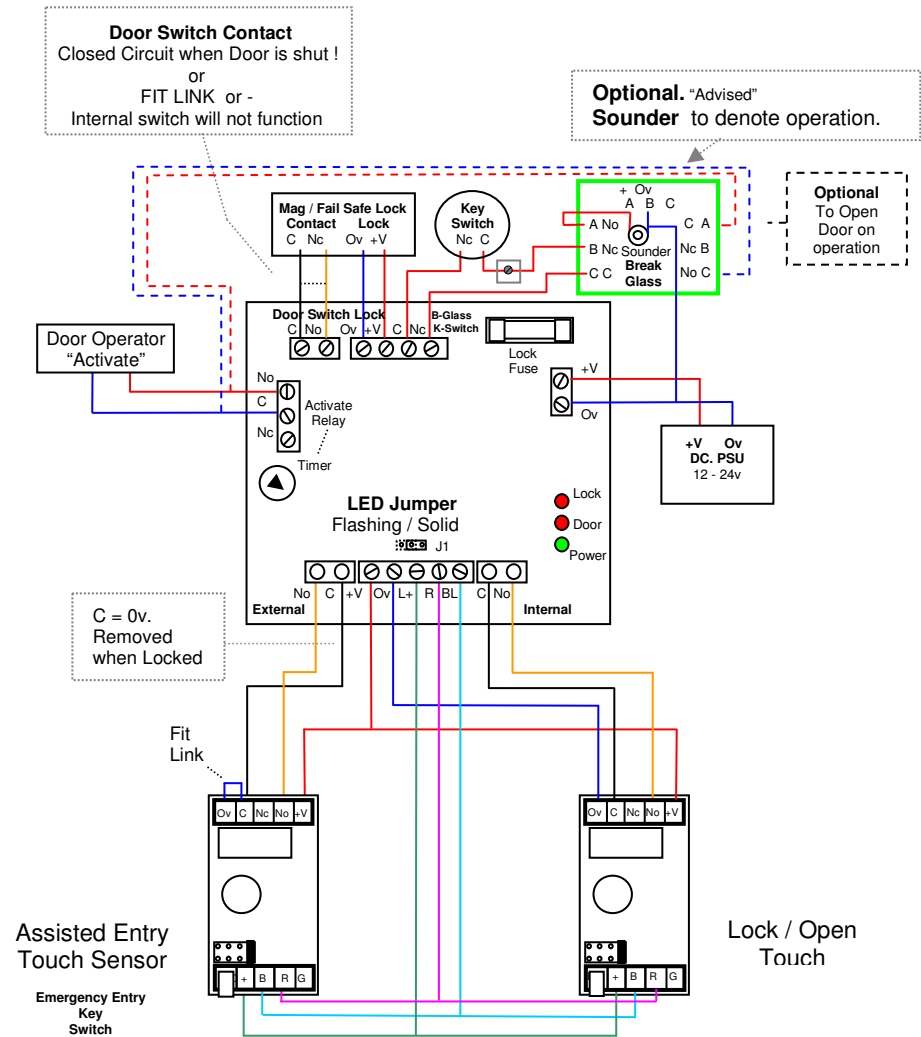
Fits any UK Metal or Plastic back-box. Surface or Flush

(If using a metal back box the vertical lugs may require removal)



Circuit: Auto Swing Door & Sliding Door

NB: 12v or 24v DC Power supply, Lock voltage as PSU



Note: LED's - Pre 2012 configuration. + G B R

LED Status: Blue: Vacant Red: Engaged / Locked