

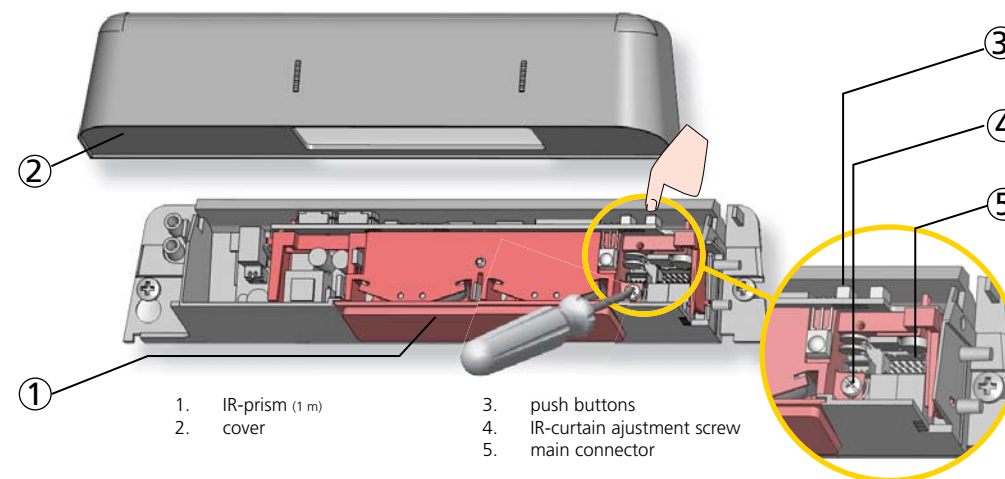
LED-SIGNALS

	The ORANGE LED flashes every second.	The sensor goes into security mode.	<ol style="list-style-type: none"> 1 Cut and restore power supply.
	The ORANGE LED flashes 1 x.	The sensor signals an internal fault.	<ol style="list-style-type: none"> 1 Cut and restore power supply. 2 If orange LED flashes again, replace sensor.
	The ORANGE LED flashes 2 x.	Irregularities in the power supply	<ol style="list-style-type: none"> 1 Check power supply. 2 Check wiring.
	The ORANGE LED flashes 4 x.	The sensor receives not enough IR-energy.	<ol style="list-style-type: none"> 1 Check the angle of the IR-curtains.
	The ORANGE LED flashes 5 x.	The sensor receives too much IR-energy.	<ol style="list-style-type: none"> 1 Use a low energy prism if possible. 2 Check the angle of the IR-curtains.
	The ORANGE LED is on.	The sensor encounters a memory problem.	<ol style="list-style-type: none"> 1 Cut and restore power supply. 2 If orange LED lights up again, replace sensor.
	The RED LED flashes quickly after an assisted setup.	The sensor sees the door during the assisted setup.	<ol style="list-style-type: none"> 1 Change the angle of the IR-curtains. 2 Launch a new assisted setup. <i>Attention: Do not stand in the detection field!</i>
	The RED LED lights up sporadically.	The sensor vibrates.	<ol style="list-style-type: none"> 1 Check if the sensor is fastened firmly. 2 Check position of prism and cover.
		The sensor sees the door.	<ol style="list-style-type: none"> 1 Launch an assisted setup and adjust the IR angle.
		The sensor is disturbed by lamps or another sensor.	<ol style="list-style-type: none"> 1 Choose a different frequency by remote control.
		The sensor is disturbed by the rain.	<ol style="list-style-type: none"> 1 Increase the IR-immunity filter by remote control.
	The reaction of the door does not correspond to the LED-signal.		<ol style="list-style-type: none"> 1 Check output configuration setting. 2 Switch value 1 (P) to 2 (A) or 2 to 1 by remote control.

IRIS SIDE SCREEN

Side screen safety sensor for automatic sliding doors*

DESCRIPTION



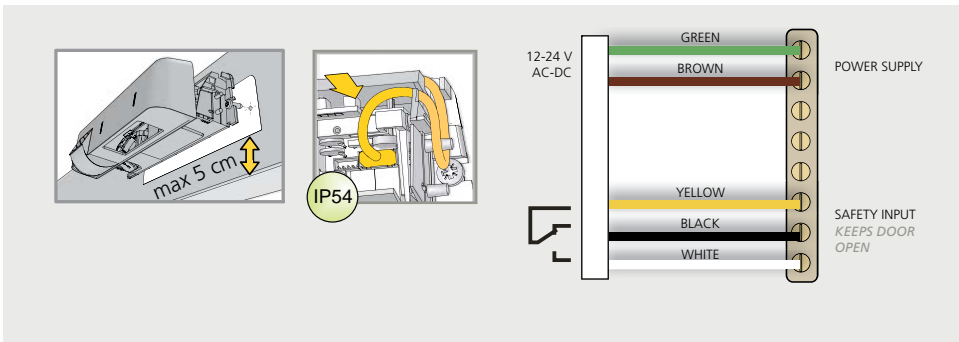
TECHNICAL SPECIFICATIONS

Supply voltage:	12 V - 24 V AC +/-10% ; 12 V - 30 V DC -5%/+10%
Power consumption:	< 3 W
Mounting height:	1.8 m to 3 m
Temperature range:	-25 °C to +55 °C
Degree of protection:	IP54
Norm conformity:	EMC 2004/108/EC
Detection mode:	Presence Typical response time: <128 ms (max. 500 ms)
Technology:	Active IR and self-monitored microprocessor Spot diameter: 0.1 m max. Number of spots: 24 or 12 by curtain Number of curtains: 2
Angle:	From -4 ° to +4 ° (adjustable)
Output:	Relay (free of potential contact) Max. contact voltage: 42 V AC/DC Max. contact current: 1 A (resistive) Max. switching power: 30 W (DC)/60 VA (AC)
Hold-open time:	0.3 s or 1 s (not adjustable)

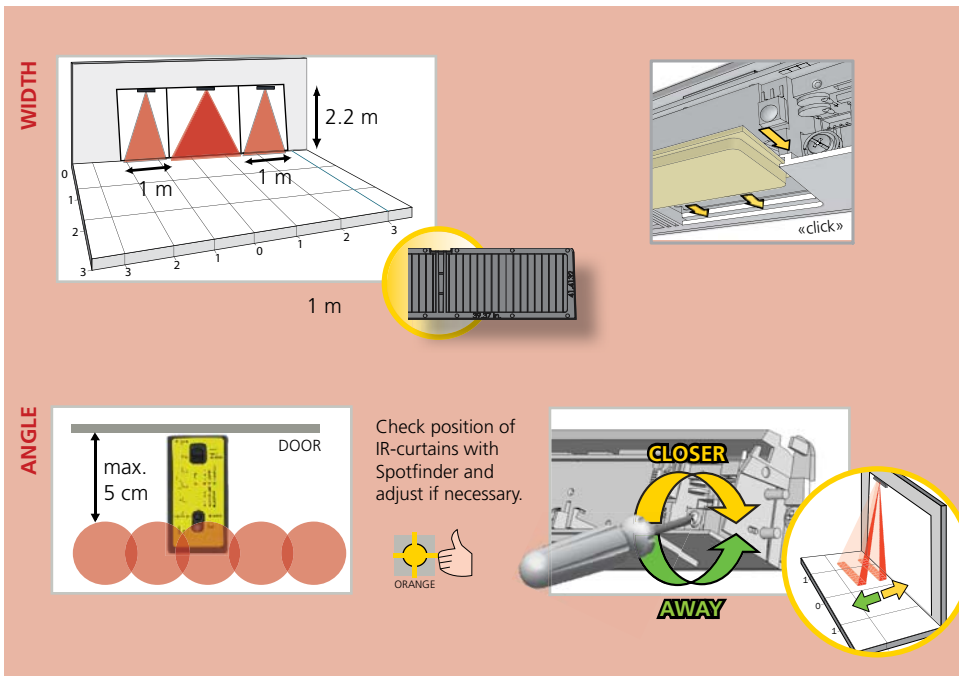
Specifications are subject to changes without prior notice.

* Other use of the device is outside the permitted purpose and can not be guaranteed by the manufacturer.

1 MOUNTING & WIRING

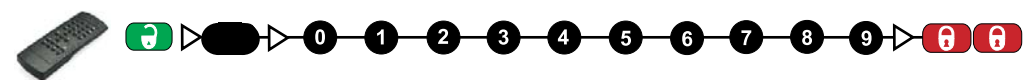


2 INFRARED FIELD



TIP: Launch an **ASSISTED SETUP** to verify wiring, position of the curtains and correct functioning of the sensor.

3 SETTINGS



OUTPUT CONFIGURATION

P A

A = active output (NO-contact)
P = passive output (NC-contact)

Safety

NUMBER OF CURTAINS: 1

IMMUNITY FILTER: normal high rain snow heavy snow

PULSE FREQUENCY: freq 2 freq 1 freq 2

MAX. PRESENCE TIME: motion 15 s 30 s 1 min 2 min 5 min 10 min 10 s



4 SETUP (by push button or remote control)

Please step out of the infrared field.

QUICK SETUP = RED-GREEN OFF

ASSISTED SETUP = OPEN+CLOSE RED-GREEN OFF

PUSH RIGHT UNTIL RED-GREEN